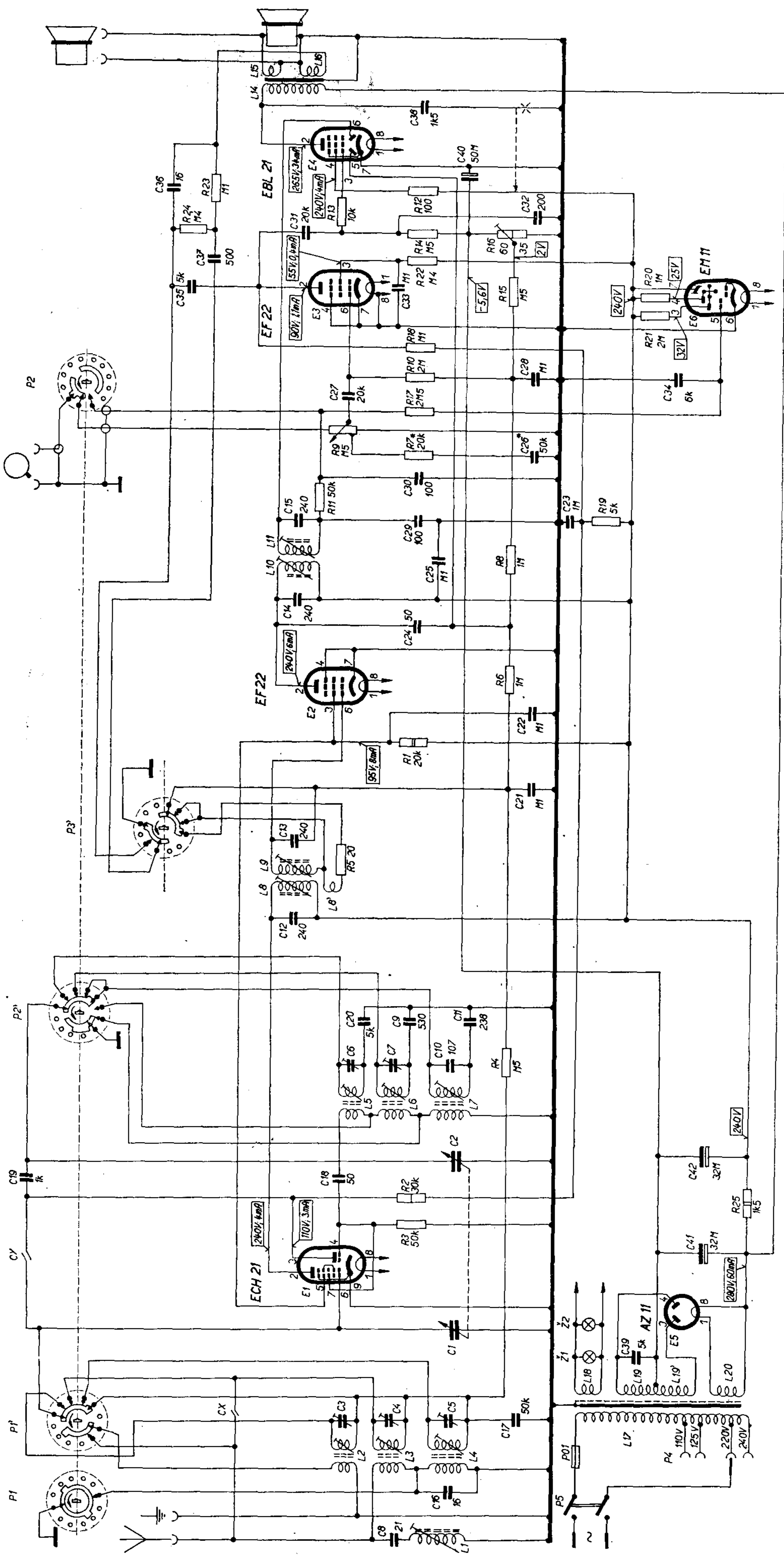
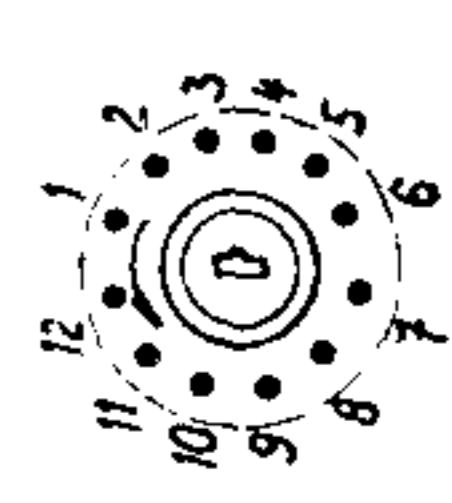


R	3, 25, 2, 4, 1, 13, 21, 22, 24, 14, 15, 11, 7, 9, 17, 10, 18, 21, 20, 15, 22, 14, 16, 24, 13, 23, 12, 38, 14, 15, 16,
C	16, 3, 4, 5, 17, X, 39, 1, 41, Y, 18, 19, 2, 42, 6, 7, 10, 20, 9, 11, 12, 24, 14, 25, 15, 29, 23, 30, 26, 27, 28, 34, 31, 32, 36, 40,
L	1, 2, 3, 4, 17, 18, 19, 19, 20, 5, 6, 7, 8, 8', 9, 10, 11,



PREPÍNAČ P1, P2, P3



ROZSAH	SPOLJENÉ DOTEKY P1	SPOLJENÉ DOTEKY P2
O	1-5, 10-11, 12-5	10-11, 12-5
DV	1-4, 9-10, 12-4	9-10, 12-4
SV	6-12, 1-3, 7-8, 1-2, 7-8	1-3, 7-8, 1-2, 7-8
RV	1-2, 7-8, 9-10, 12-5, 6-7-8	1-2, 7-8, 9-10, 12-5, 6-7-8

POLOHA	SPOLJENÉ DOTEKY P3
ŠIROKÉ PÁSMO	1-10, 4-7
STŘEDNÍ PÁSMO	4-6
ÚZKÉ PÁSMO	4-5, 10-11

PATICE ELEKTRONEK

